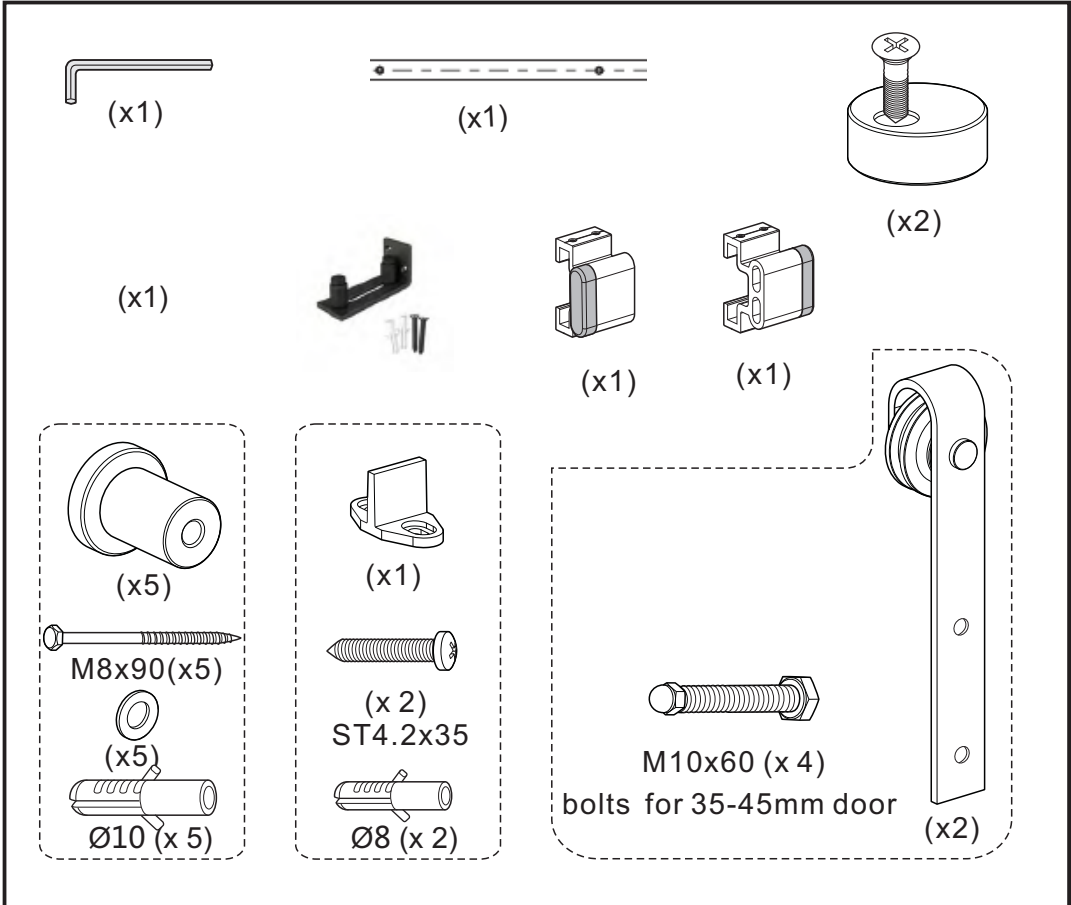
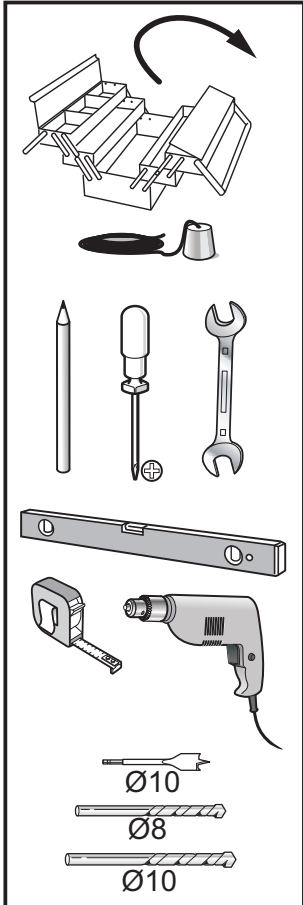


D	L
200mm	198mm
100mm	118mm
150mm	68mm



# Barn Door Installation Guide - Page 2

**1**

x5  
L  
GROUND  
CLEARANCE 10MM  
+H+3mm for rail holes

MEASURE THE WALL AND MARK THE HOLES FOR THE MOUNTING HARDWARE.

**2**

x5  
50mm  
Ø10

DO NOT INSTALL TRACK DIRECTLY ONTO THE PLASTER BOARD. A HEADER BOARD ABOVE THE DOOR OPENING IS REQUIRED FOR PLASTERBOARD INSTALLS ( NOT REQUIRED FOR SOLID WALLS ).

MOUNT THE HEADER BOARD TO WALL STUDS WITH SUITABLE FASTENERS ( NOT INCLUDED ).

**3**

HANG THE TRACK ON THE HEADER BOARD OR SOLID WALL APPLICATION AS FIT FOR PURPOSE.

**4**

INSTALL THE STRAPS ON THE DOOR. (X2)

FOR A 35-45mm THICK DOOR, USE THE SHORTER SET OF INCLUDED BOLTS.

drill out  
Ø10  
40mm  
90mm  
D

**5**

1/2

CENTRE THE ANTI-JUMP DISCS ON THE TOP EDGE OF THE DOOR MAKE SURE THE SCREWS ARE ON THE FORWARD EDGE OF THE DOOR. DISCS CAN BE ROTATED OUT OF THE WAY TO INSTALL THE DOOR ON THE TRACK.

**6**

**1**

HANG THE DOOR ON THE TRACK. ROTATE THE ANTI JUMP DISCS BACK SO THEY ARE CENTERED ON THE TOP OF THE DOOR.

**2**

7

WALL GUIDE OPTION, ADJUSTABLE TO 75MM MAX.

CHOOSE EITHER WALL GUIDE OR HIDDEN FLOOR GUIDE OPTIONS. IF FLOOR GUIDE IS CHOSEN., USE A ROUTER TO CUT THE OPENING IN THE BOTTOM OF THE DOOR. PLEASE NOTE, NOT RECCOMENDED ON CARPET FLOORS (USE WALL GUIDE OPTION.)

8

**(X2)**

INSTALL AND ADJUST THE THE TRACK STOP ENDS

9

OPTIONAL ADJUSTABLE PILLAR POSTS WITH SCREW WASHER AND FIXING, SOLD SEPERATLEY.

34MM TO 45MM ADJUSTABLE

ASSISTS IF WALL UNDULATION IS PRESENT AND LARGER PROJECTION ARCHITRAVES ARE FITTED.

**NOTE FOR LONGER THAN 3 METRES USE TRACK JOINER AND SELECT AN ADDITIONAL TRACK SET WHICH WILL GIVE YOU THE LENGTH REQUIRED AND GIVE YOU ADDITIONAL HANGER SET IF FOR DOUBLE DOOR APPLICATION. IF DOUBLE DOORS ARE WITHIN STANDARD LENGTH TRACKS, ORDER AN ADDITIONAL HANGER SET WHICH WILL HAVE ALL THE ITEMS YOU REQUIRE PACKED IN ONE CONVENIENT KIT WHICH INCLUDES : EXTRA HANGER SET : PLUS WALL AND FLOOR GUIDE, ANTI JUMP DISCS AND EXTRA TRACK STOPS.**